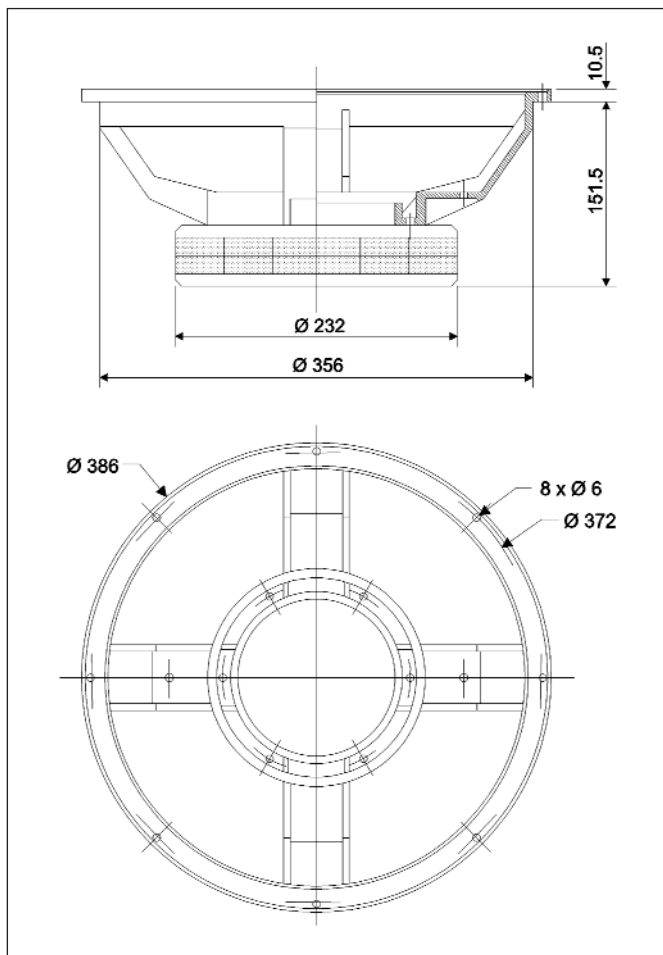


AUDIOM SERIES

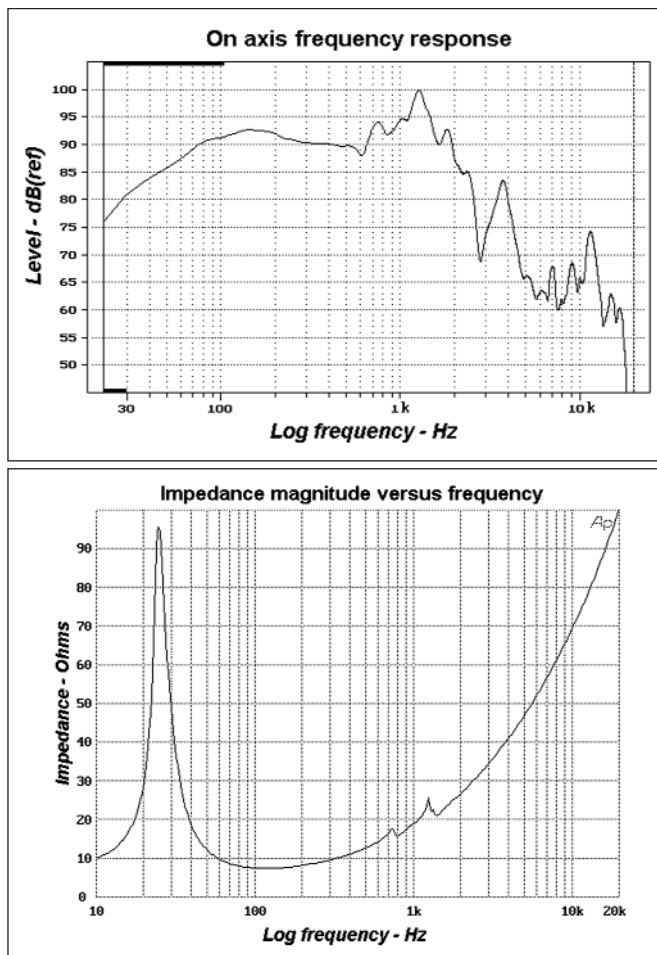
- Thick aluminium sand cast frame
- Straight profile PolyKevlar® cone, large rubber surround
- Edgewound flat copper wire 77 mm voice coil, glass fiber former
- Efficiency : 93.2 dB
- Truly unique features lead to absolutely exceptional performances



DRAWING



MEASUREMENTS



SPECIFICATIONS

Nominal power handling	225	W
Program power handling	300	W
Sensitivity	93.2	dB (2.8V/1m)
Cone	Polykevlar®	
Surround	Rubber	
Nominal impedance	8	Ω
DC resistance	6.2	Ω
VC diameter	77	mm
VC height	22	mm
Former	Glass Fiber	
Layers	2	
Wire	Copper	
Inductance	1.92	mH
Xmax	6	mm
Magnet diameter x height	235 multi magnets	mm x mm
Magnet weight	233 x 12	g
Flux density	1.02	T
Gap height	10	mm
Net weight	12.3	kg

PARAMETERS

Fs	25.8	Hz
Vas	280.3	l
Qts	0.39	
Qes	0.40	
Qms	9.62	
Re	6.3	Ω
Sd	829.6	cm²
Cas	155E-8	m²/N
Mas	19.8	kg/m⁴
Ras	481.9	Ω.ac
Cms	290E-6	m/N
Mms	131.5	g
Rms	2 214	g/s
Ces	353.2	μF
Les	87.2	mH
Res	150.3	Ω
Bl	18.2	N/A
SPL	92.6	dB/W/m

SIMULATION

Ql:	7	Ω
Rg:	1.0	
Qts (+Rg):	0.44	

Vb:	200	l
Fb:	22.2	Hz
F-3:	30.4	Hz

